

DESIGN

Body	Flangeless wafer type
End Connection	EN 1092 PN 10, 16 ASME B16.5 cl. 150 / B16.47 cl. 150 MSS SP 44 cl. 150
Face to Face	EN558-1/2 Series 20
Disc Seat	Replaceable
Shaft Seal Design	Stuffing box
Driving Shaft	With indicator for position of the disc
Special Design Options	-

TESTING PROCEDURES

Shell strength test	EN 12266-1, P10 DIN 3230, Part 3 API 598
Shell tightness test	EN 12266-1, P11 API 598
Seat tightness test	EN 12266-1, P12, Rate A/B ISO 5208, Rate A/B API 598
Operability test	EN 12266-2, F20 DIN 3230, Part 3 API 598

OPTIONS

Anti Static Design	In accordance with EN 736/3 and API 609
--------------------	---

FUNCTIONAL CHARACTERISTICS

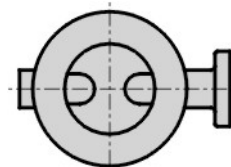
Application	On/off
Design pressure PS	Maximum 20 bar
Design temp. TS	-40°C (-40°F) to +250 °C (482 °F), higher on request
Flow velocity	5 m/s for liquids, 50 m/s for gases
Seat tightness rate	Bi-directional - ISO 5208 rate A (soft seated) Uni-directional – ISO 5208 rate B (metal seated)

MARKING & CERTIFICATION

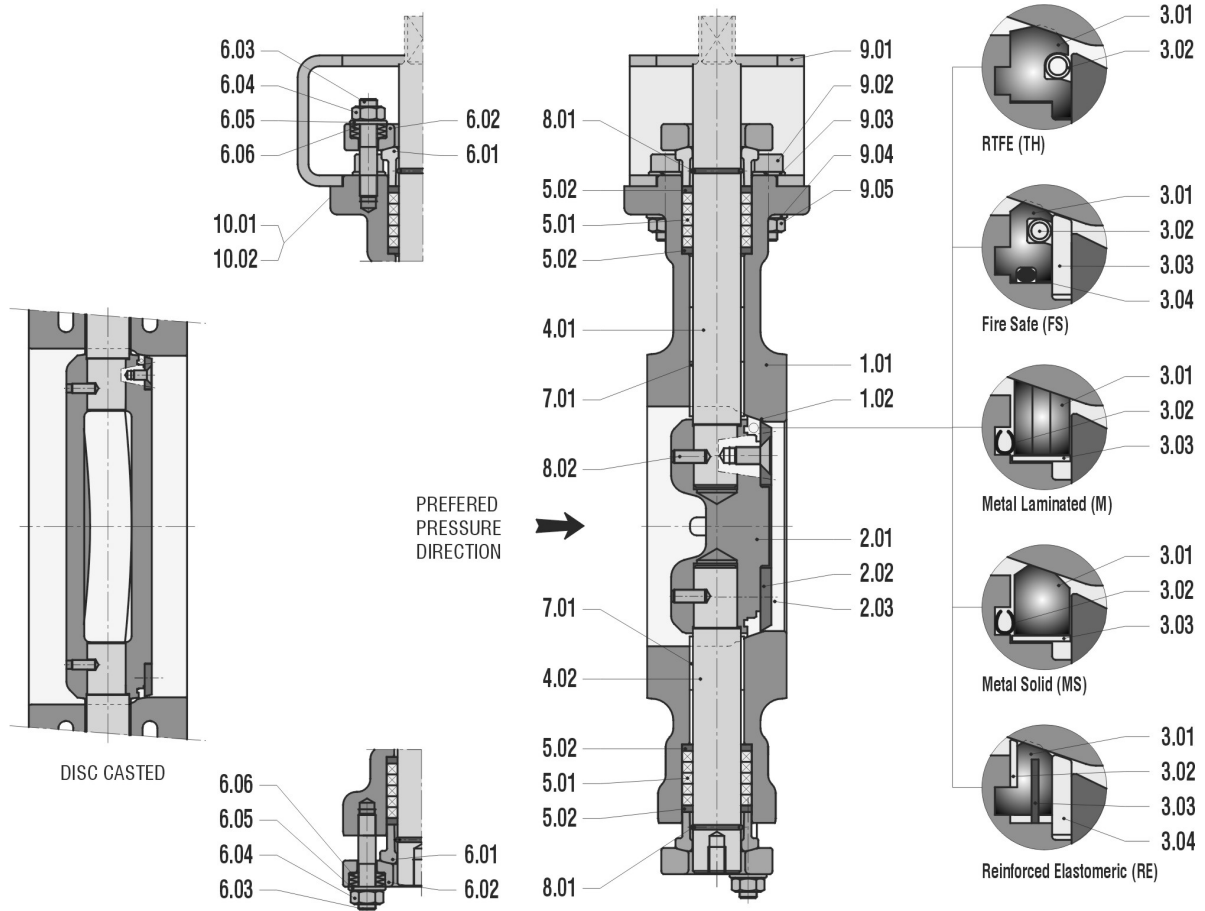
Marking	EN 19, MSS SP 25
Certification	EN 10204 - 2.2, 3.1, 3.2
PED	Categorie III

**PRODUCT DATA**

General Description	BUTTERFLY VALVE - High Performance double excentric
Design Code	EN 593
Size Range	DN 50 - 900, NPS 2" - 36"
Maximum Pressure	20 bar

PREFERRED POSITION WHEN INSTALLED IN HORIZONTAL PIPELINE

PARTS LIST - DYNAXE W201 - 50-900 (2"-36")



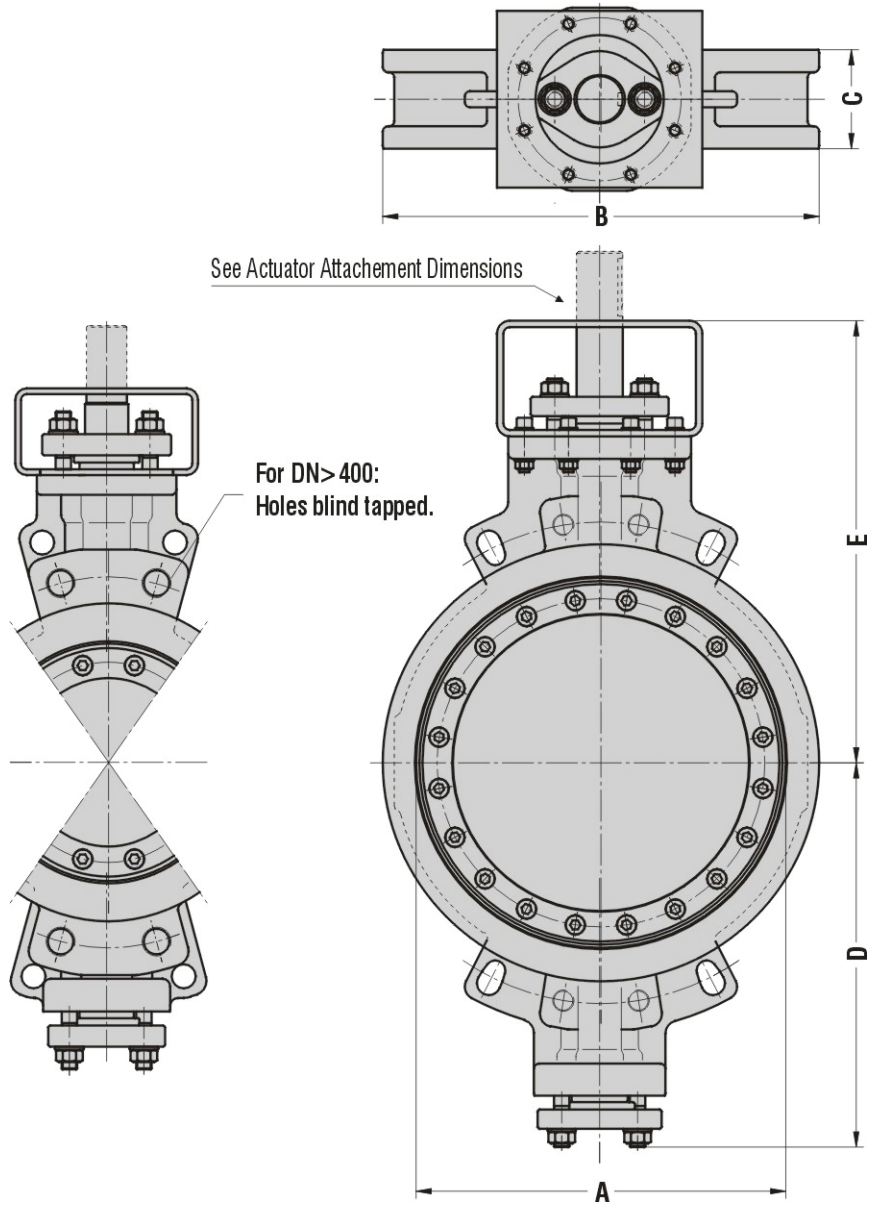
ITEM	DESCRIPTION	MATERIAL ⁽¹⁾	EN/DIN	COMPARABLE ASTM
1.01	Body	Austenitic SS Carbon Steel	1.4408, EN 10213 1.0619, EN 10213	A 351, CF8M A 216, WCB
1.02	Body seat	Stainless steel Stellite	1.4370	-
2.01	Disc	Austenitic SS ⁽²⁾ Carbon Steel ⁽³⁾	1.4401, EN 10088 1.0460, EN 10273	A 182, F316 A 105 N
2.02	Retaining ring	Austenitic SS	1.4401, EN 10088	A 182, F316
2.03	Screw	Stainless Steel - A4/70		
3.01	Disc seat ring (TH)	RTFE 15-12-3	-	-
3.02	Helix coil	Austenitic SS	1.4401, EN 10088	A 182, F316
4.01	Upper shaft	Austenitic SS Martensitic SS	1.3964, 1.4021, En 10088	A 479, XM-19 A 276, 420
4.02	Lower shaft	See ITEM 4.01	See ITEM 4.01	See ITEM 4.01
5.01	Packing ring	Graphite (>99.85%)		
5.02	Taper ring	Austenitic SS	1.4401, EN 10088	A 182, F316
6.01	Packing gland	Austenitic SS	1.4408, EN 10213	A 351, CF8M
6.02	Gland flange	Austenitic SS	1.4408, EN 10213	A 351, CF8M
6.03	Stud bolt	Stainless Steel - A4/70		
6.04	Hex. nut	Stainless Steel - A4/70		
6.05	Washer	Stainless Steel - A4		
6.06	Beveled washer	Stainless Steel		
7.01	Sliding bearing	Austenitic SS / coated	1.4401, EN 10088	A 182, F316
8.01	Snap ring	Stainless Steel	1.4310,	
8.02	Set screw	Stainless Steel - A4/70		
9.01	Bracket	Austenitic SS	1.4401, EN 10088	A 182, F316
9.02	Screw	Stainless Steel - A4/70		
9.03	Washer	Stainless Steel - A4		
9.04	Spring lock washer	Stainless Steel - A4		
9.05	Hex. nut	Stainless Steel - A4/70		
10.01	Marking plate	Austenitic SS	1.4401, EN 10088	A 182, F316
10.02	Blind rivet	Stainless Steel - A4		

⁽¹⁾ Other materials like Duplex, 6Mo, Titanium, on request

⁽²⁾ forged ≤ DN 200, casted ≥ DN 250, material 1.4408, EN 10213 (A 351, CF8M)

⁽³⁾ forged ≤ DN 200, casted ≥ DN 250, material 1.0619, EN 10213 (A 216, WCB)

DIMENSIONS – DYNAXE W201 – 50-900 (2"-36") ⁽⁴⁾



DN	NPS	A	B	C	D	E	MASS ±kg
50	2"	58	101	43	139	197	9
65	2½"	58	120	46	139	197	11
80	3"	71	133	46	146	202	8
100	4"	96	158	52	170	216	11
125	5"	120	185	56	182	228	14
150	6"	150	210	56	196	247	16
200	8"	197	264	60	240	301	19
250	10"	250	325	68	279	334	46
300	12"	301	366	78	311	359	57

DN	NPS	A	B	C	D	E	MASS ±kg
350	14"	327	430	92	358	427	95
400	16"	379	480	102	384	453	117
450	18"	428	527	114	493	525	164
500	20"	480	580	127	519	551	199
600	24"	571	680	154	598	688	300
700	28"	676	790	165	648	738	430
750	30"	726	850	190	719	812	495
800	32"	776	900	190	744	837	560
900	36"	876	995	203	794	887	715

⁽⁴⁾ Other sizes on request