

DESIGN

Body	Flangeless wafer type
End Connection	EN 1092 PN 6, 10 and 16 ASME B16.5 cl. 150 / B16.47 cl. 150 MSS SP 44 cl. 150
Face to Face	API 609 Cat. B
Disc Seat	Replaceable
Shaft Seal Design	Stuffing box
Driving Shaft	With indicator for position of the disc
Special Design Options	-

TESTING PROCEDURES

Shell strength test	EN 12266-1, P10 ISO 5208 API 598
Shell tightness test	EN 12266-1, P11 ISO 5208 API 598
Seat tightness test	EN 12266-1, P12, Rate A ISO 5208, Rate A API 598
Operability test	EN 12266-2, F20 ISO 5208 API 598

**OPTIONS**

Anti-Static Design	In accordance with EN 736/3 and API 609
--------------------	---

FUNCTIONAL CHARACTERISTICS

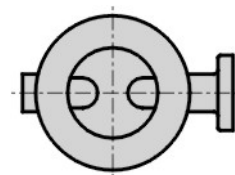
Application	On/off
Design pressure PS	Maximum 20 bar
Design temp. TS	-40°C (-40°F) to +200° (392°F)
Flow velocity	5 m/s for liquids, 50 m/s for gases
Seat tightness rate	Bi-directional - ISO 5208 rate A (soft seated)

MARKING & CERTIFICATION

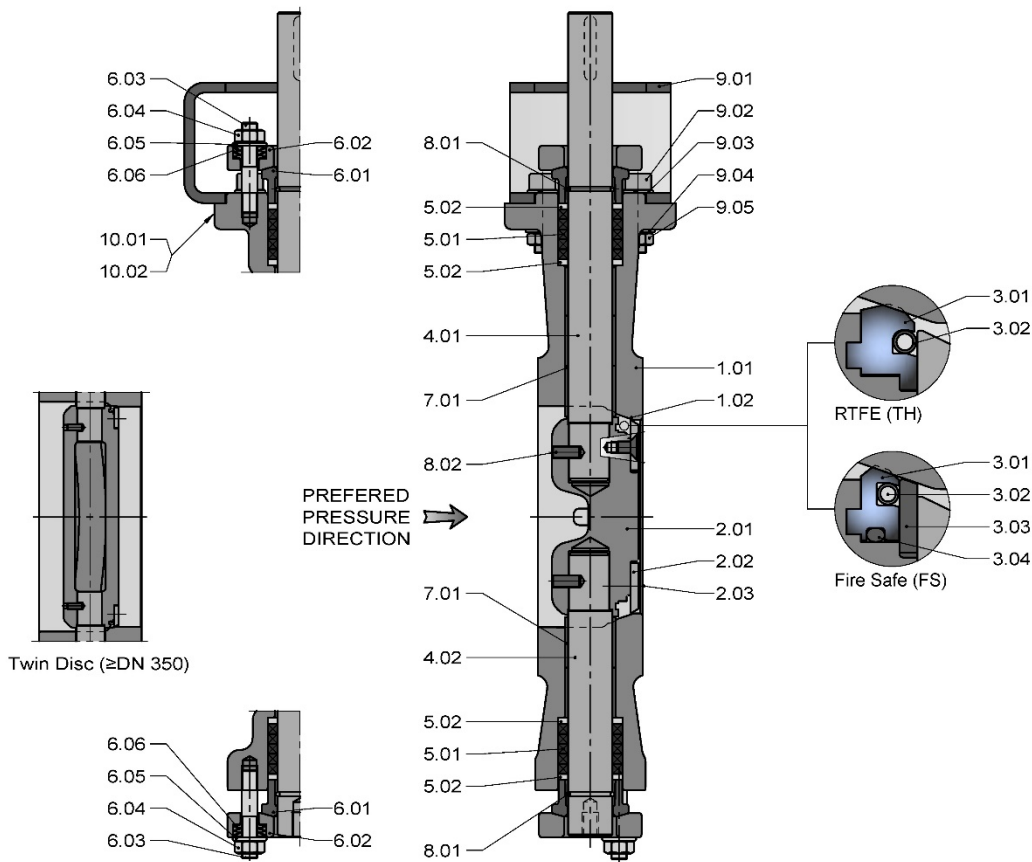
Marking	EN 19, MSS SP 25
Certification	EN 10204 - 2.2, 3.1, 3.2
PED	Category III

PRODUCT DATA

General Description	BUTTERFLY VALVE - High Performance double eccentric
Design Code	EN 593
Size Range	DN 80 - 600, NPS 3" - 24"
Maximum Pressure	20 bar

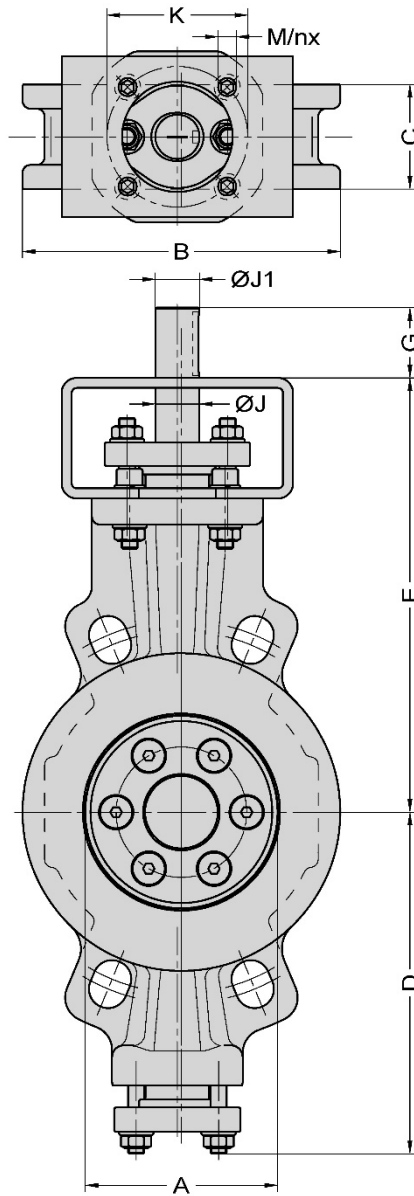
PREFERRED POSITION WHEN INSTALLED IN HORIZONTAL PIPELINE

PARTS LIST - DYNAXE W921 - 80-600 (3"-24")



Item	Description	Material	EN/DIN	Comparable ASTM
1.01	Body	Titanium Gr. 2	3.7035, Ti 2	B 381, F2
1.02	Body seat	Titanium Gr. 2	3.7035, Ti 2	-
2.01	Disc	Titanium Gr. 2	3.7035, Ti 2	B 381, F2
2.02	Retaining ring	Titanium Gr. 2	3.7035, Ti 2	B 265, 2
3.01	Disc seat ring (TH)	RTFE 15-12-3	-	-
3.02	Helix coil	Elgiloy		
4.01	Upper shaft	Titanium Gr. 2/5	3.7035, Ti 2/Ti 5	B 348, 2/5
4.02	Lower shaft	Titanium Gr. 2/5	3.7035, Ti 2/Ti 5	B 348, 2/5
5.01	Packing ring	Graphite (>99.85%)		
5.02	Taper ring	Titanium Gr. 2	3.7035, Ti 2	B 265, 2
6.01	Packing gland	Austenitic SS	1.4408, EN 10213	A 351, CF8M
6.02	Gland flange	Austenitic SS	1.4408, EN 10213	A 351, CF8M
6.03	Stud bolt	Stainless Steel - A4/70		
6.04	Hex. nut	Stainless Steel - A4/70		
6.05	Washer	Stainless Steel - A4		
6.06	Bevelled washer	Stainless Steel		
7.01	Sliding bearing	Titanium Gr. 2 / Nitrided	3.7035, Ti 2	B 348, 2
8.01	Snap ring	Stainless Steel	1.4310	
8.02	Set screw	Titanium Gr. 2	3.7035, Ti 2	B 348, 2
9.01	Bracket	Austenitic SS	1.4401, EN 10088	A 182, F316
9.02	Screw	Stainless Steel - A4/70		
9.03	Washer	Stainless Steel - A4		
9.04	Spring lock washer	Stainless Steel - A4		
9.05	Hex. nut	Stainless Steel - A4/70		
10.01	Marking plate	Austenitic SS	1.4401, EN 10088	A 182, F316
10.02	Blind rivet	Stainless Steel - A4		

DIMENSIONS - DYNAXE W921 - 80-600 (3"-24")



DN	NPS	A	B	C	D	E	G ⁽¹⁾	J ⁽¹⁾	J1 ⁽¹⁾	ISO 5211	K	M	n	MASS ±kg
80	3"	71	133	48	146	202	29	18	18	F05	50	7	4	4.8
100	4"	96	158	54	170	216	35	22	22	F07	70	9	4	6.6
150	6"	150	210	57	196	247	35	22	22	F07	70	9	4	9.6
200	8"	197	264	64	240	301	43	28	28	F10	102	11	4	11.5
250	10"	250	325	71	279	334	53	36	36	F12	125	13	4	28
300	12"	301	366	81	311	359	53	36	36	F12	125	13	4	35
350	14"	327	430	92	358	427	65	45	42	F14	140	17	4	57
400	16"	379	480	102	384	453	65	45	42	F14	140	17	4	71
450	18"	428	527	114	493	525	78	60	60	F16	165	21	4	99
500	20"	480	580	127	519	551	78	60	60	F16	165	21	4	120
600	24"	571	680	154	598	688	110	72	72	F25	254	17	8	180

(1) Other sizes on request

Disc Seat Options - Dynaxe W921**RTFE Fire Safe Design (TF)**

3.01	Disc seat ring	RTFE 15-12-3		
3.02	Helix coil	Elgiloy		
3.03	Fire safe seat ring	Titanium Gr. 2	3.7035, Ti 2	B 265, 2
3.04	O-ring	FPM		